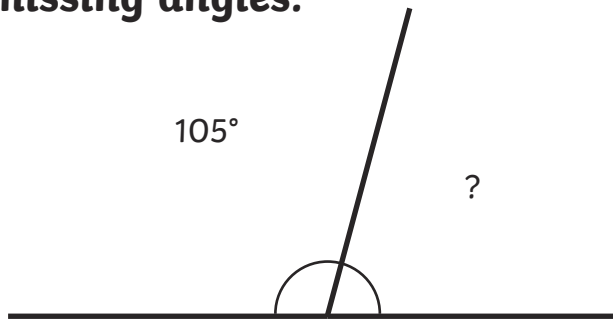


Supplementary Angles

Find the missing angles.

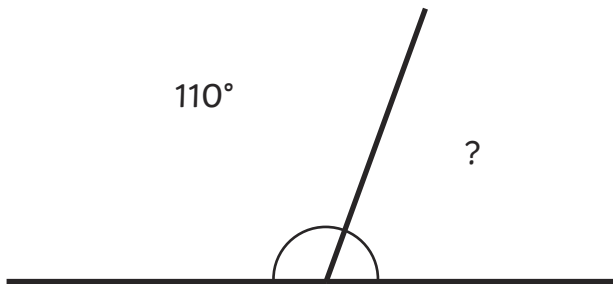
Example:



The missing angle is:

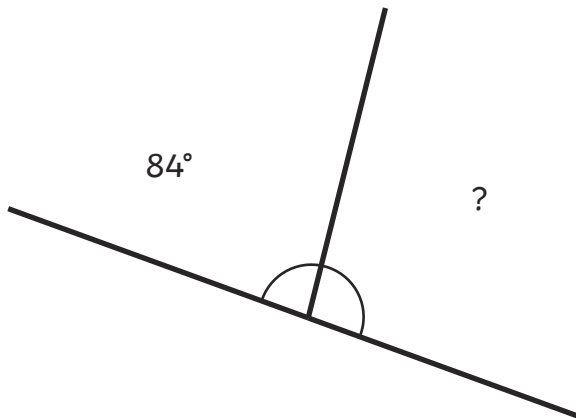
$$180 - 105 = 75^\circ$$

1



The missing angle is:

2



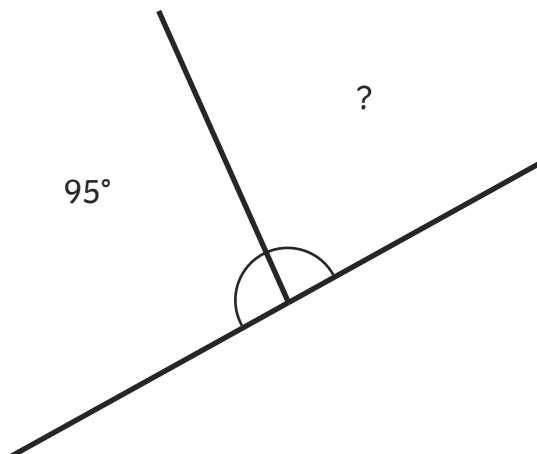
The missing angle is:

3



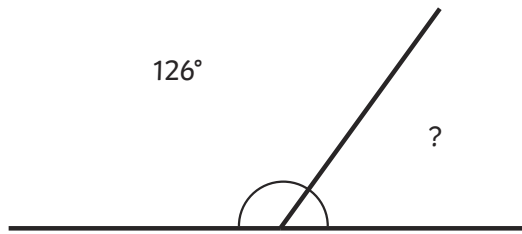
The missing angle is:

4



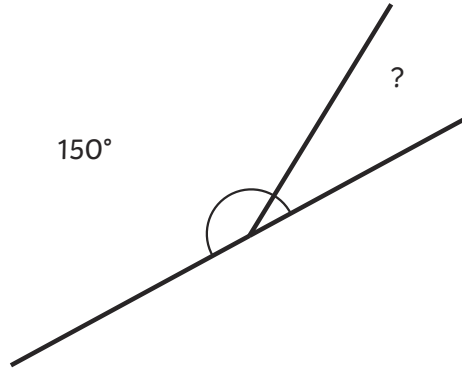
The missing angle is:

5



The missing angle is:

6



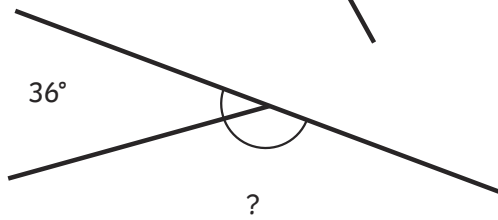
The missing angle is:

7



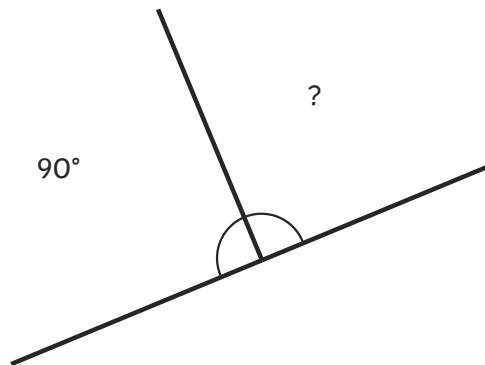
The missing angle is:

8



The missing angle is:

9



The missing angle is:

10



The missing angle is:

Supplementary Angles Answers

1. The missing angle is: $180 - 110 = 70^\circ$
2. The missing angle is: $180 - 84 = 96^\circ$
3. The missing angle is: $180 - 17 = 163^\circ$
4. The missing angle is: $180 - 95 = 85^\circ$
5. The missing angle is: $180 - 126 = 54^\circ$
6. The missing angle is: $180 - 150 = 30^\circ$
7. The missing angle is: $180 - 119 = 61^\circ$
8. The missing angle is: $180 - 36 = 144^\circ$
9. The missing angle is: $180 - 90 = 90^\circ$
10. The missing angle is: $180 - 170 = 10^\circ$